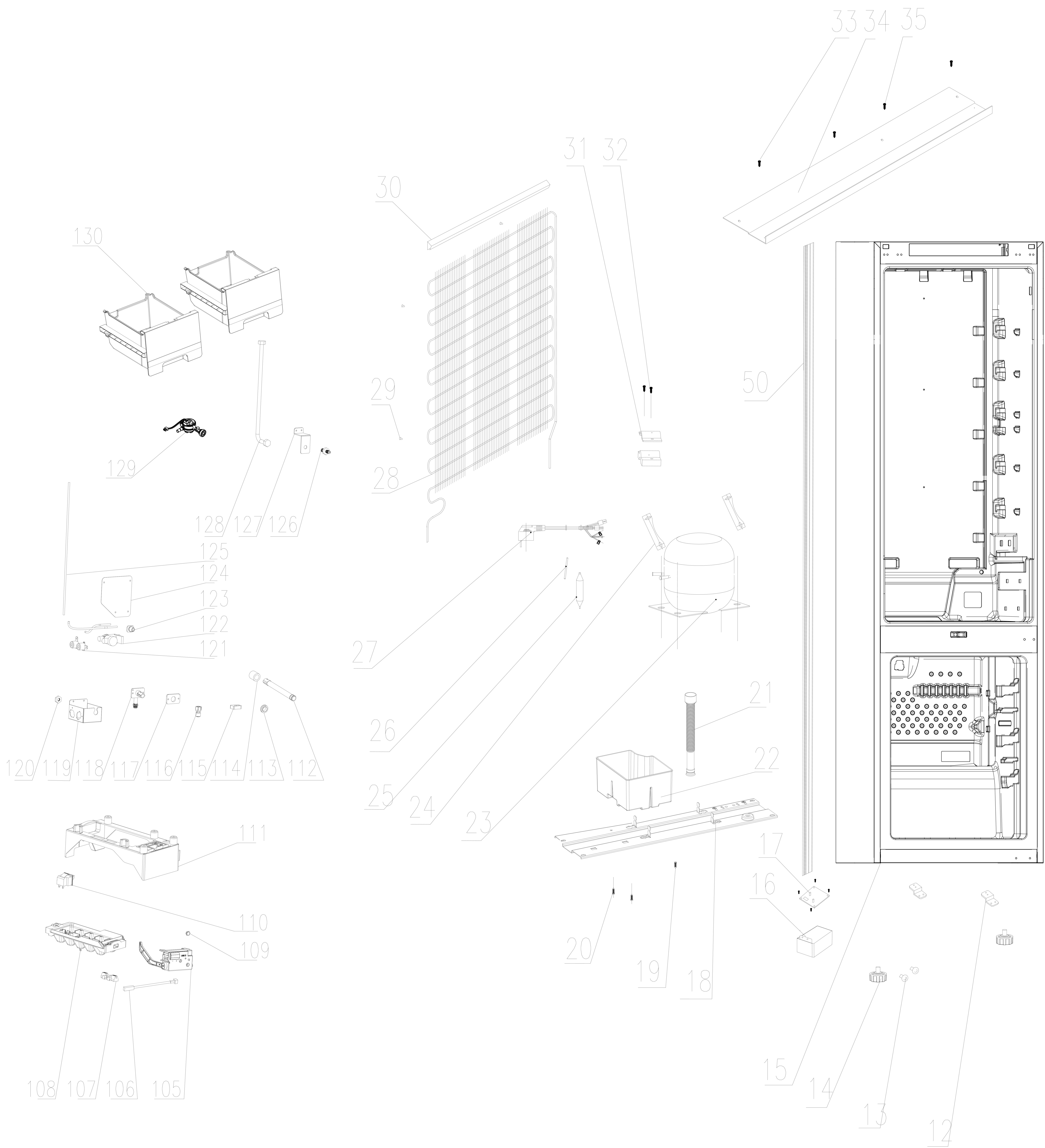
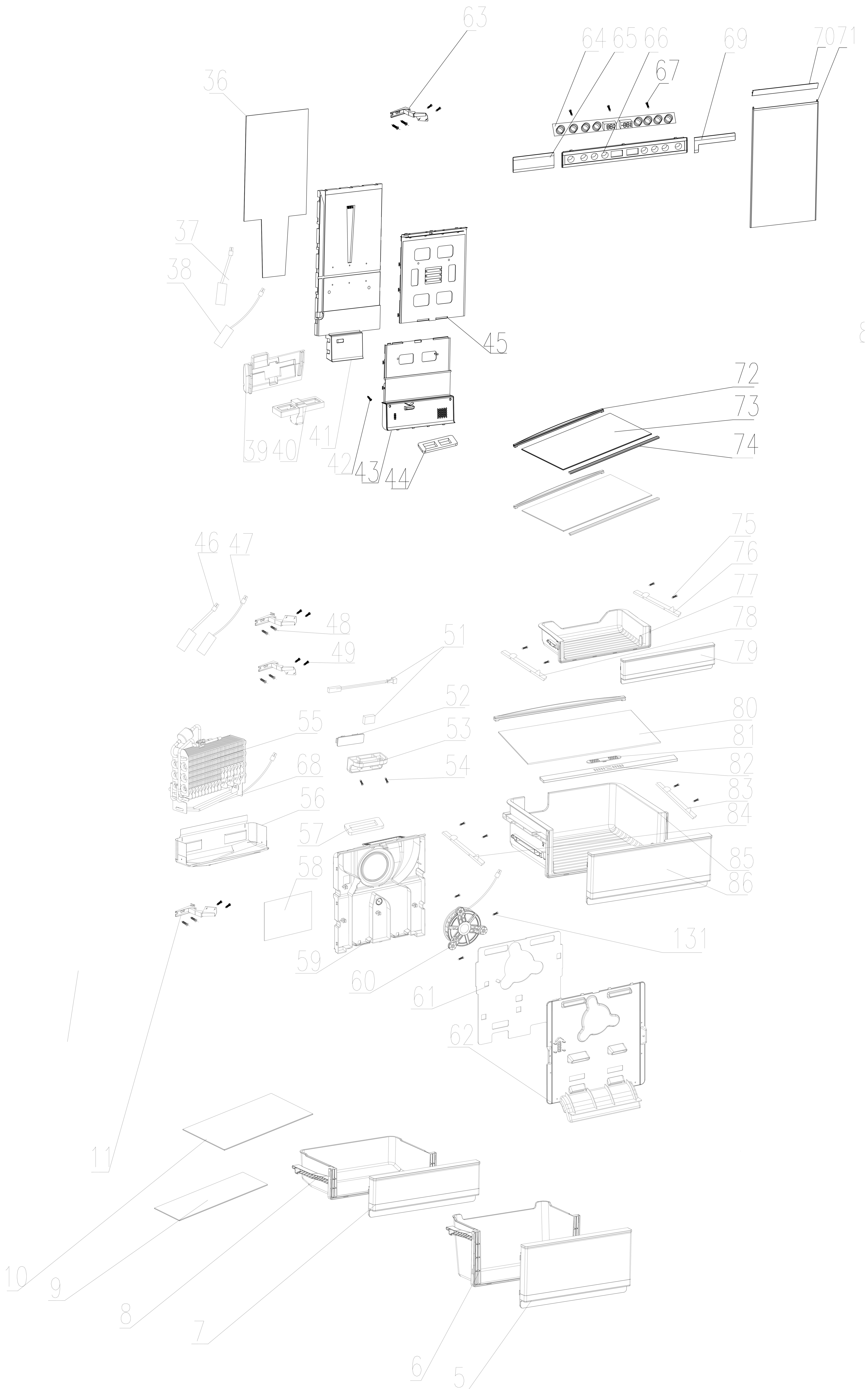
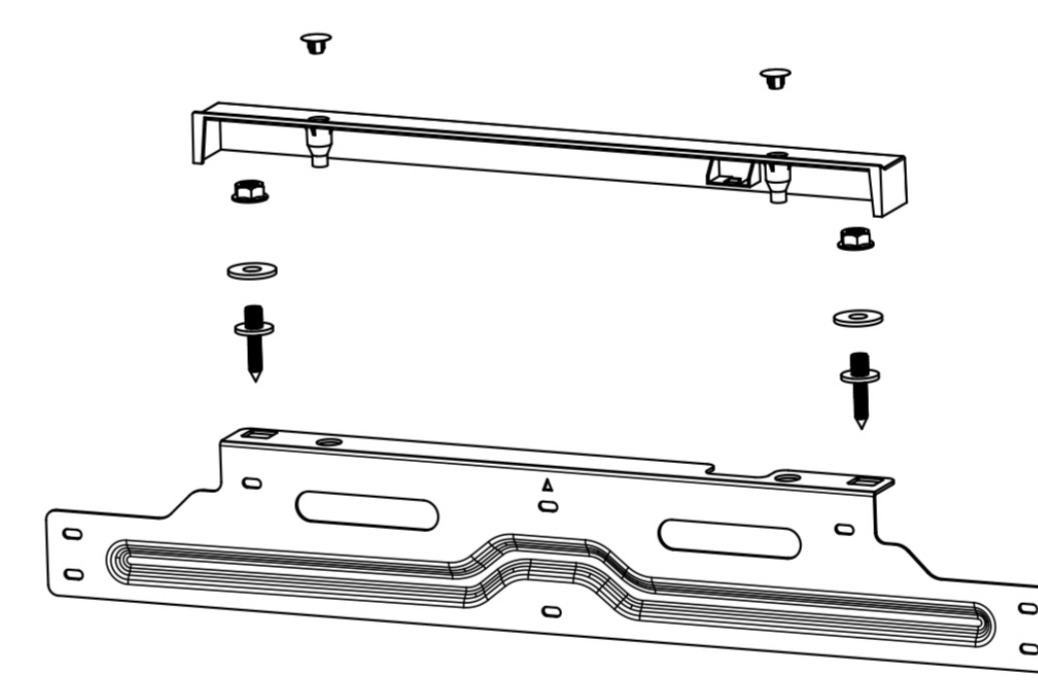
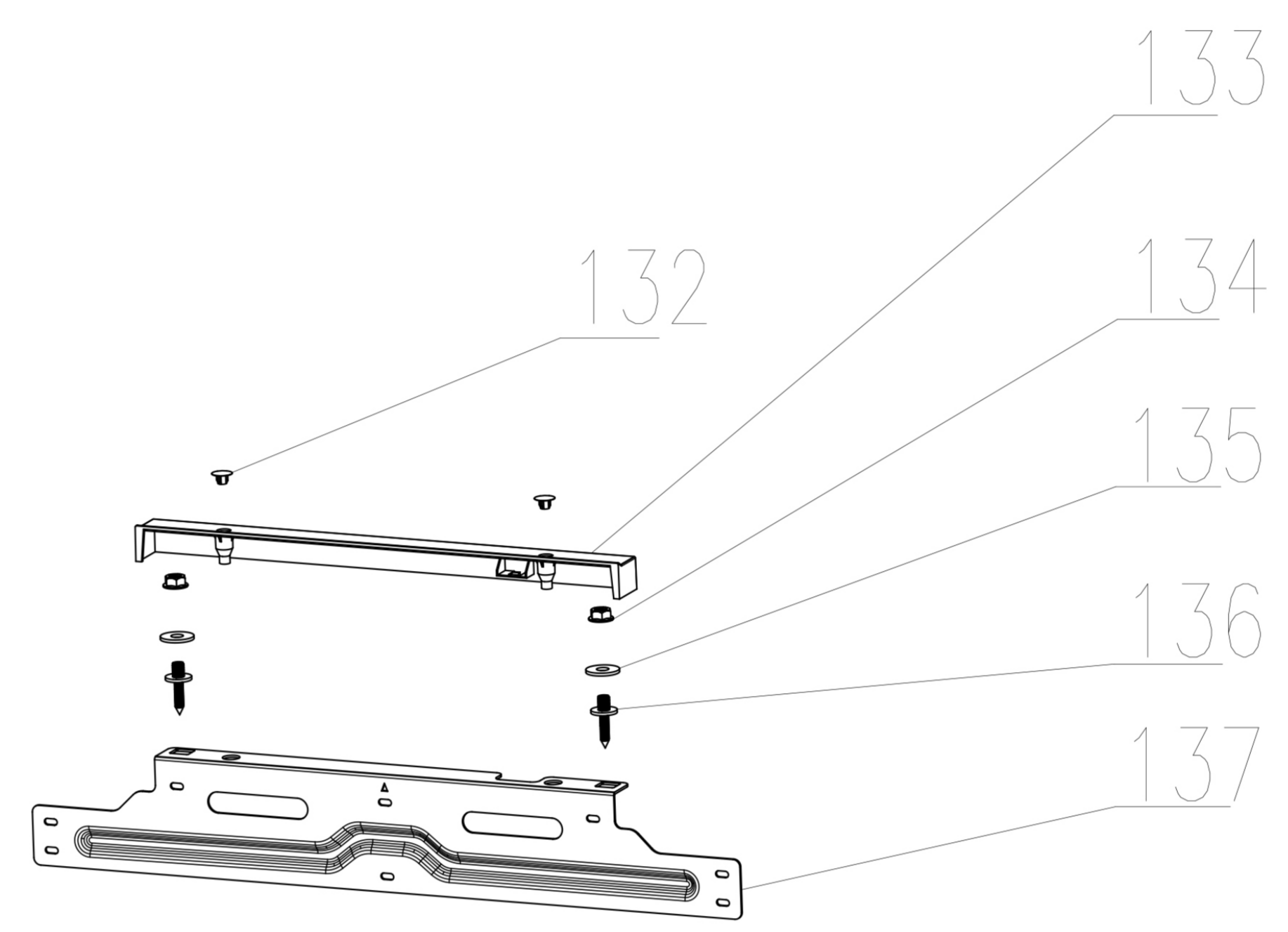
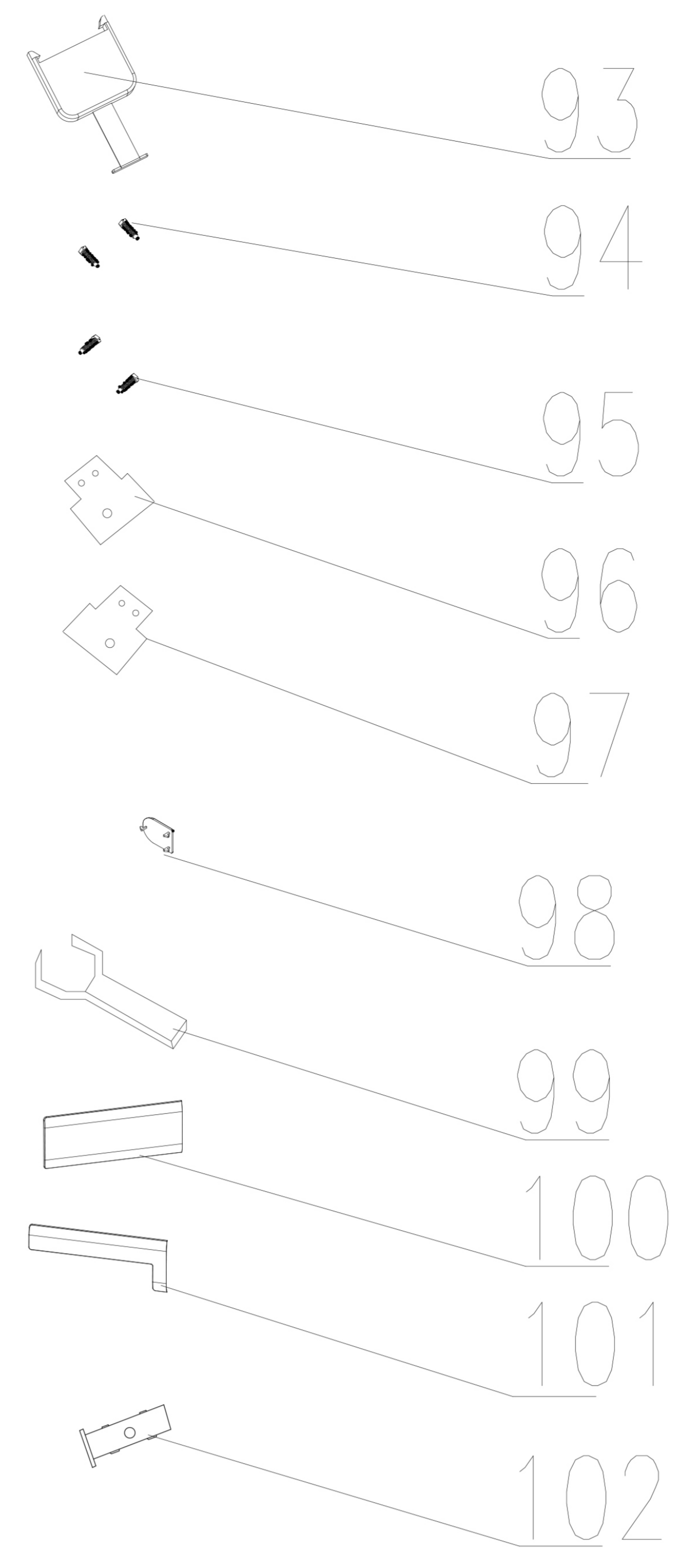
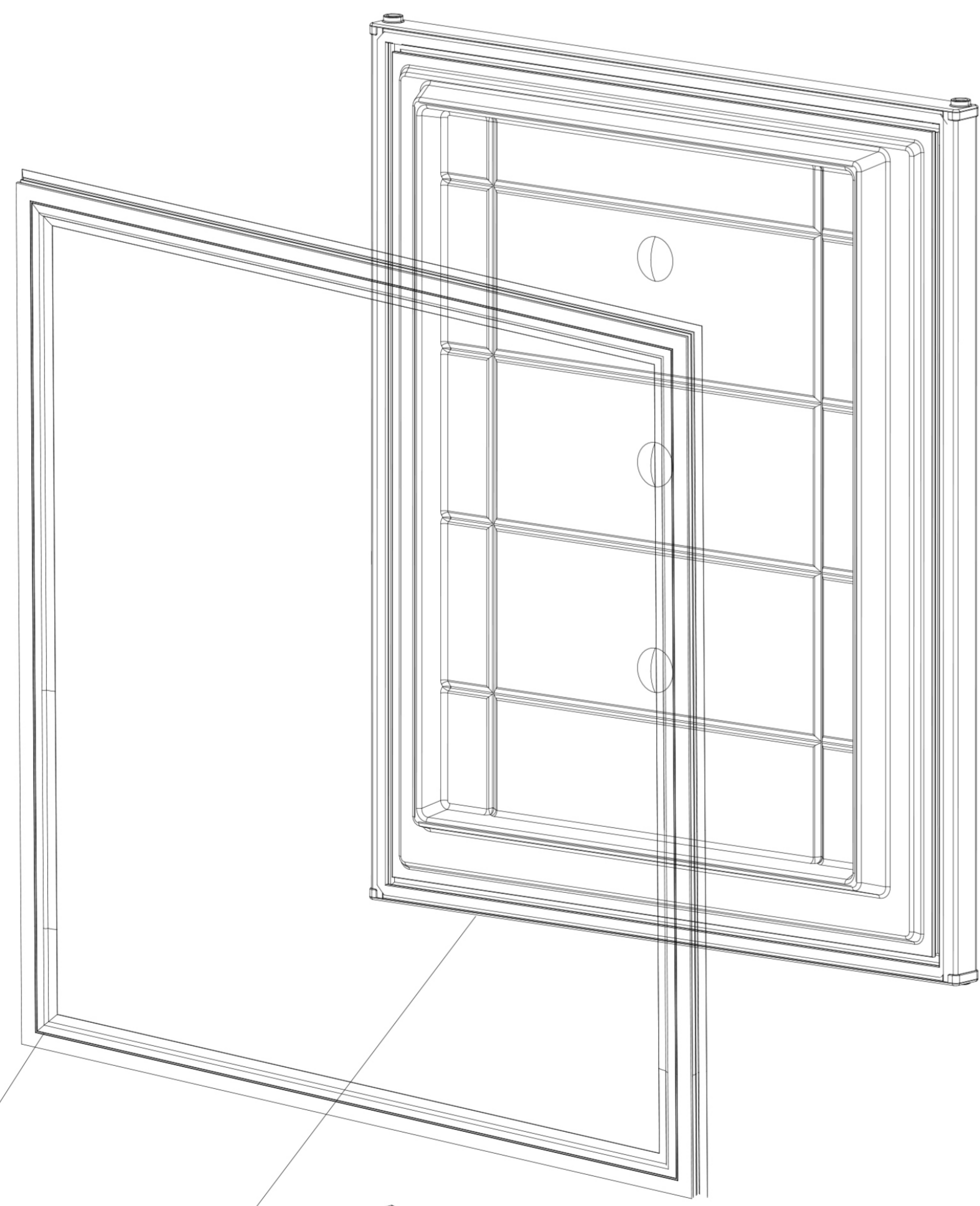
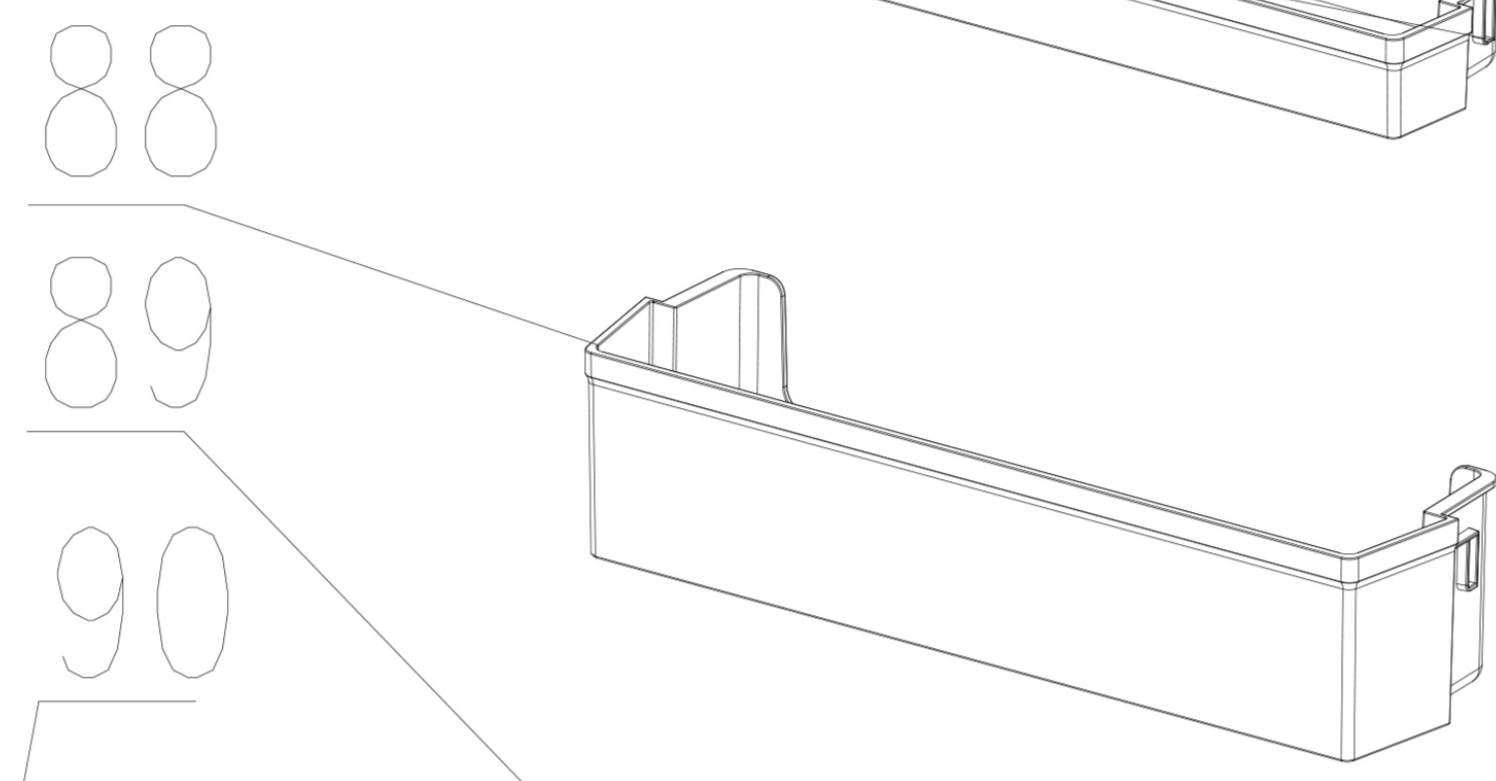
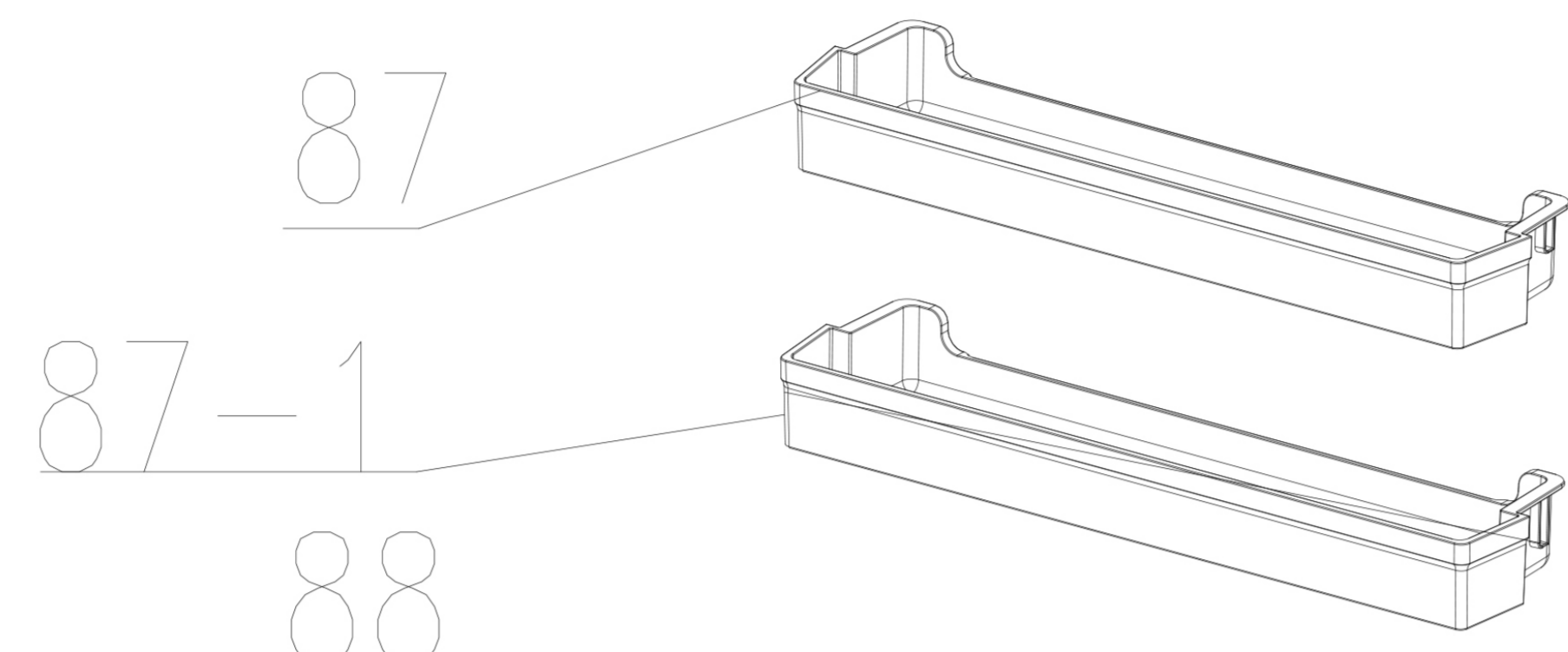
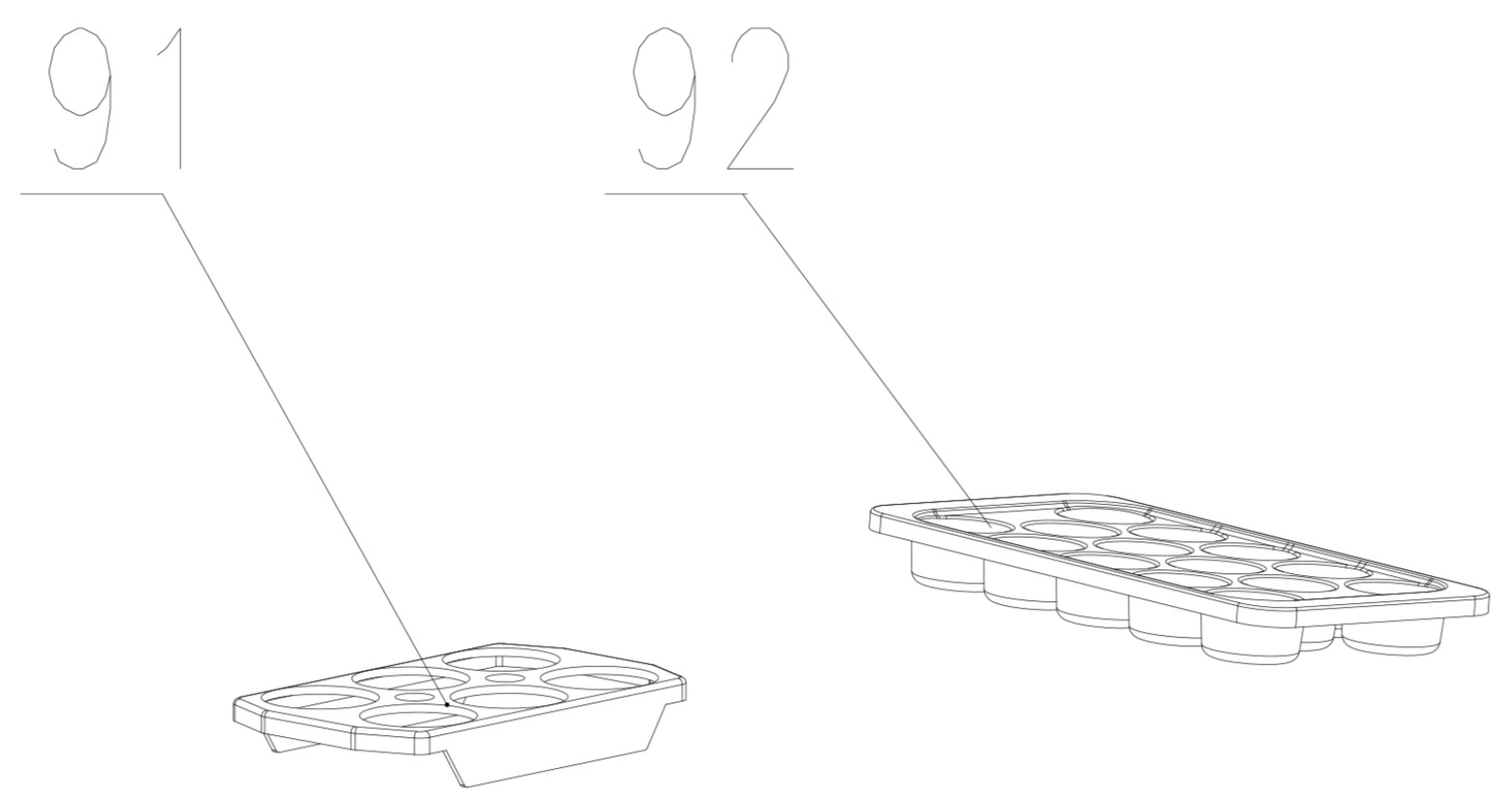


S22BFR700IMBIP







No.	Item Code	Material Name
1	1.11.75101TQ-02	Fixed block
2	1.13.M60120-104	Flange Screw
3	2.01.F4TQ02-344	Freezer Foamed Door
4	2.25.100202-173	Freezer Door Gasket
5	1.06.TQ9F71-341	Lower Freezer Drawer-Front
6	1.03.710202-341	Lower Freezer Drawer-Back
7	1.06.TQ9F70-341	Upper Freezer Drawer-Front
8	1.03.510202-341	Upper Freezer Drawer-Back
9	1.42.11TQ39-341	Lower Glass Shelf In Freezer Compartment
10	1.42.10TQ39-341	Upper Glass Shelf In Freezer Compartment
11	1.11.03101TQ-11	Flange Screw
12	1.11.811111TQ-02	The lower fixing parts
13	1.06.TQ2620-142	Screw Plug
14	1.06.TQ2170-110	Adjustable Feet
15	2.00.TQ020307-3	Foamed Cabinet
16	1.06.TQ7171-422	Plastic Box For Power PCB
17	1.27.01A101-435	Power PCB
18	1.11.04341TQ-02	Compressor Support Base
19	1.13.C40080-106	Flange Screw
20	1.13.M50130-104	Flange Screw
21	1.06.TQ13D0-341	Drain Water Pipe Connector
22	1.06.TQ4420-341	Water Tray
23	1.10.12090E-4XX	Compressor Assembly
24	1.11.30069TQ-07	Compressor Fixing Plate
25	1.46.0400TQ-013	Drier Filter
26	2.20.B4TQ00-000	Charging Pipe
27	1.28.AA2057-403	Power Cord+Plug
28	2.20.D0TQ00-341	Outside Condenser
29	1.12.B42250-AB4	Self Tapping Screw
30	1.06.TQ9591-117	Condenser Protective Bar
31	1.06.TQ2780-041	Power Cord Fixer
32	1.13.Y40160-104	Y Shape Screw
33	1.13.M05016-104	Flange Screw
34	2.24.0710602-02	Upper Hinge Plate
35	1.12.M39120-AB4	Self Tapping Screw
36	1.18.U030TQ-011	Sealing sponge for Fridge air tunnel
37	2.32.DTQ104-341	Air sensor for Chiller compartment
38	2.32.DTQ801-341	Air sensor for Fridge compartment
39	1.16.FDMTQB-432	EPS block behind Fridge inlet
40	1.31.D2840X-341	Electric damper
41	1.16.FDMTQA-432	EPS block before Fridge inlet
42	1.12.B40250-AB7	Self Tapping Screw
43	1.06.TQ4910-400	Fridge air tunnel cover
44	1.18.U010TQ-005	Sealing sponge for Freezer air tunnel outlet
45	1.06.TQ4911-400	Fridge air tunnel external decoration cover
46	2.32.DTQ801-341	Air sensor for Freezer compartment
47	2.32.DTQ802-341	Defrost sensor
48	1.12.M50130-AB4	Flange screw
49	1.13.M50130-104	Flange screw
50	2.31.TQ0913-208	sealing strip
51	1.11.02341TQ-01	Reed Switch
52	1.06.TQ7120-341	Reed Switch Fixing Case
53	1.06.TQ7122-341	Fixing Case for magnetic block
54	1.12.B39160-AB7	Self Tapping Screw
55	2.23.26TQ01-341	Fin Evaporator
56	1.35.JDD01X-341	Defrost water tray
57	1.18.U010TQ-006	Sealing sponge for fridge air tunnel inlet
58	1.18.U030TQ-001	Sealing sponge for rear cover of freezer air tunnel
59	1.06.TQ4922-341	Rear cover of freezer air tunnel
60	1.33.DTQ431-041	Freezer fan assembly
61	1.18.U020TQ-001	Sealing sponge for freezer air tunnel
62	1.06.TQ4921-341	Front cover of freezer air tunnel
63	1.11.01101TQ-08	Upper Hinge

No.	Item Code	Material Name
64	1.27.03A2XX-341	Control panel
65	1.06.TQ4610-303	The left cover of the upper beam control box
66	1.06.TQ4611-400	Middle Cap For Control Panel
67	1.12.W35120-AB4	Self Tapping Screw
68	1.31.A2941X-341	Defrosting heating tube
69	1.06.TQ4611-308	The right cover of the upper beam control box
70	1.11.89400TQ-10	Sky Led
71	1.06.TQ4772-404	Sky Led Cover
72	1.06.TQ1916-106	Glass Shelf Back Lid
73	1.42.23TQ39-106	Glass Shelves
74	1.06.TQ1911-173	Glass Shelf Front Lid
75	1.12.F55025-AB4	Self Tapping Screw
76	2.35.01105TQ-02	Chiller Right Telescopic Guide-Shorter
77	1.06.TQ2371-303	Chiller Back
78	2.35.01105TQ-01	Chiller Left Telescopic Guide-Shorter
79	1.06.TQ237T-303	Crisper Front
80	1.42.32TQ39-303	Crisper Glass Cover
81	1.06.TQ4616-303	Slider For Humidity Controller
82	1.06.TQ461S-303	Humidity Controller
83	2.35.02105TQ-02	Telescopic Guide-Right
84	2.35.02105TQ-01	Telescopic Guide-Left
85	1.06.TQ2370-341	Crisper Back Part
86	1.06.TQ237S-303	Crisper Front Part
87	1.06.TQ0670-303	Upper Balcony
87-1	1.06.TQ0670-303	Upper Balcony
88	1.06.TQ0870-303	Bottom Balcony
89	2.01.R5TQ02-308	Fridge Foamed Door
90	2.25.100102-105	Fridge Door Gasket
91-102	1.55.01344007-0	Accessory bag Assembly
91	1.06.TQ0421-034	Egg Tray
92	1.46.1402TQ-002	Ice Tray
93	1.06.TQ3621-111	The lower fixed cover
94	1.12.M39120-MS4	Self tapping screw
95	1.12.M39160-MS4	Self tapping screw
96	1.06.TQ1580-000	hinge Spacer A
97	1.06.TQ1581-000	hinge Spacer B
98	1.06.TQ2670-000	Screw plug for upper hinge plate
99	1.11.91106TQ-01	Spanner
100	1.06.TQ4614-303	
101	1.06.TQ4611-308	
102	1.06.TQ3210-101	hinge cover
105	1.33.DTQ431-432	Ice maker orsion ice motor
106	1.36.DTQE01-432	Ice box sensor
107	1.16.FDBTQD-432	Sensor mounting component
108	1.06.TQ4421-432	ice tray
109	1.27.02A012-432	Metal push-button switch
110	1.29.11X101-000	Light switch
111	1.06.TQ4675-432	Ice maker bracket
112	1.06.TQ1320-432	water Inlet pipe
113	1.38.09PS432-01	Inlet water faucet
114	1.18.U030TQ-014	"Waterproof foam"
115	1.18.U030TQ-015	Waterproof foam
116	1.05.341006-368	"Water pipe adapter for ice machine"
117	1.06.TQ6911-432	Inlet joint gasket
118	1.06.TQ1321-432	Inlet joint
119	1.11.04432TQ-02	Water valve installation box
120	1.14.Z10002-006	Nut
121	1.05.32TQ05-432	Water pipe fixings
122	1.31.A7242X-368	Refrigerated water dispenser water valve assembly
123	1.38.09PS409-04	Door shell wiring pre-installed sealing component
124	2.28.1043202-03	Back cover plate
125	1.05.340606-368	Ice Maker water Inlet pipe
126	1.05.340806-432	Waterway transfer connector
127	1.11.04432TQ-01	Connector mounting fixture
128	1.11.02432TQ-01	Install water pipes
129	1.29.71D12XX-562	
130	1.03.610202-432	Ice box (drawer)
131	1.12.C39120-AB7	Screw For Fan Moter
132	1.06.TQ9371-105	Shaft sleeve hole cover
133	1.06.TQ4975-439	Decorative cover
134	1.14.E08000-00F	Nut with washer
135	1.14.A08500-00F	pad
136	1.13.Z600XX-105	Adjusting bolt
137	2.24.0915802-04	djusting the horizontal plate